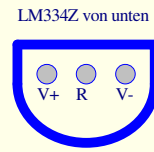
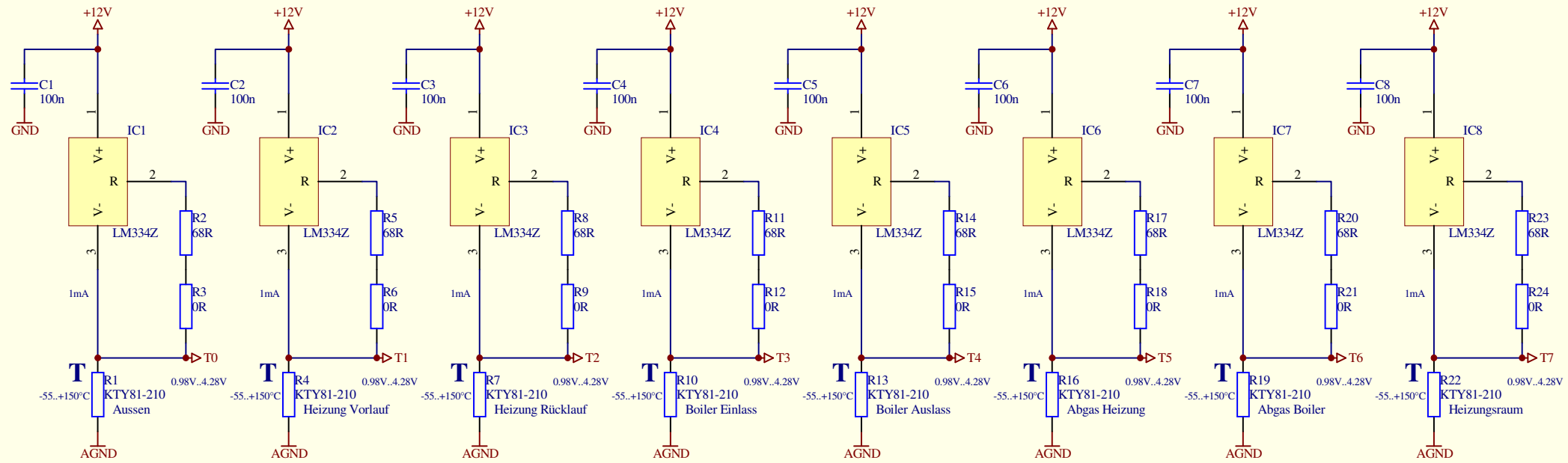


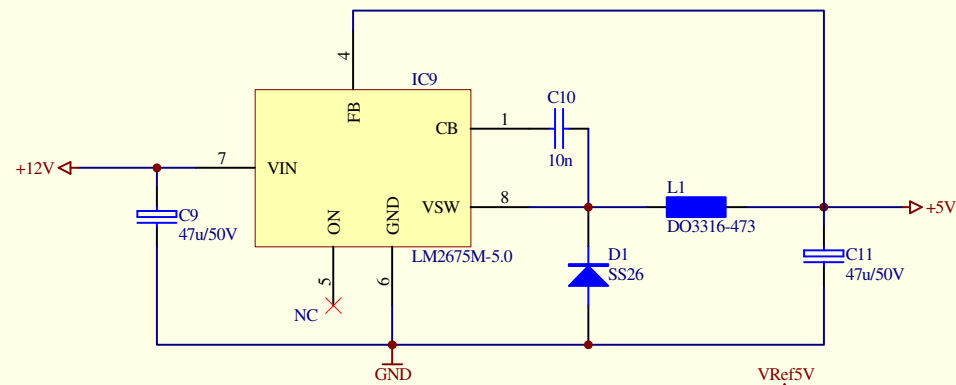
Temperatursensoren



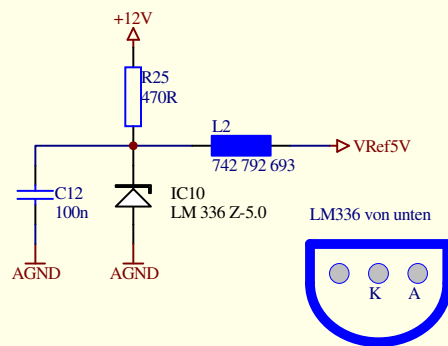
Anschlussfarben :

- Rot +12V
- Blau SDA
- Orange SCL
- Braun GND

Logikversorgung

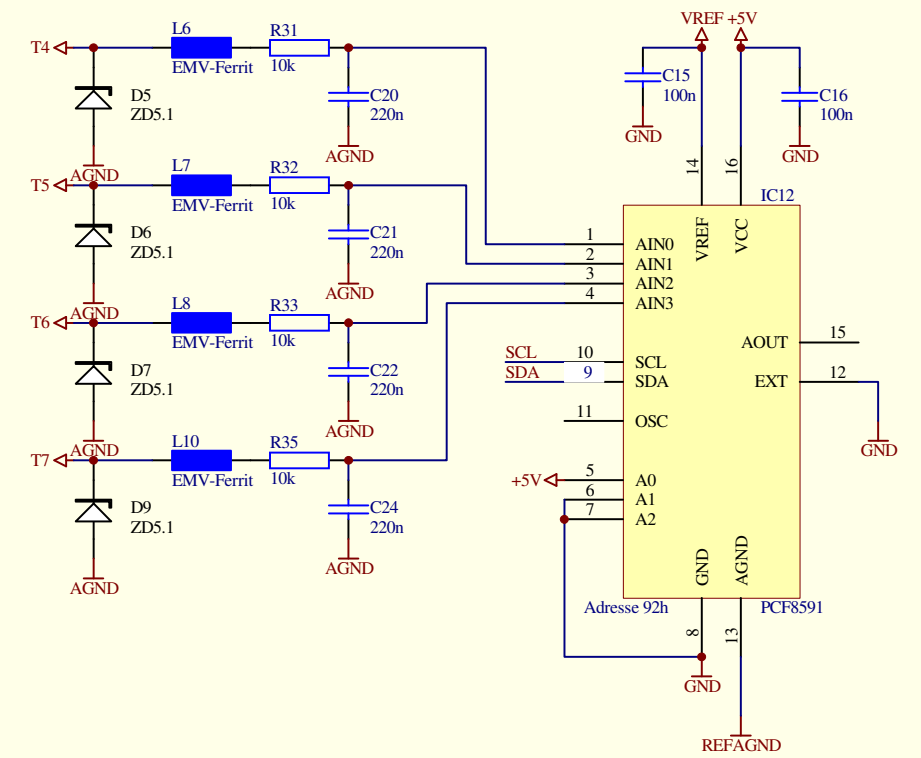
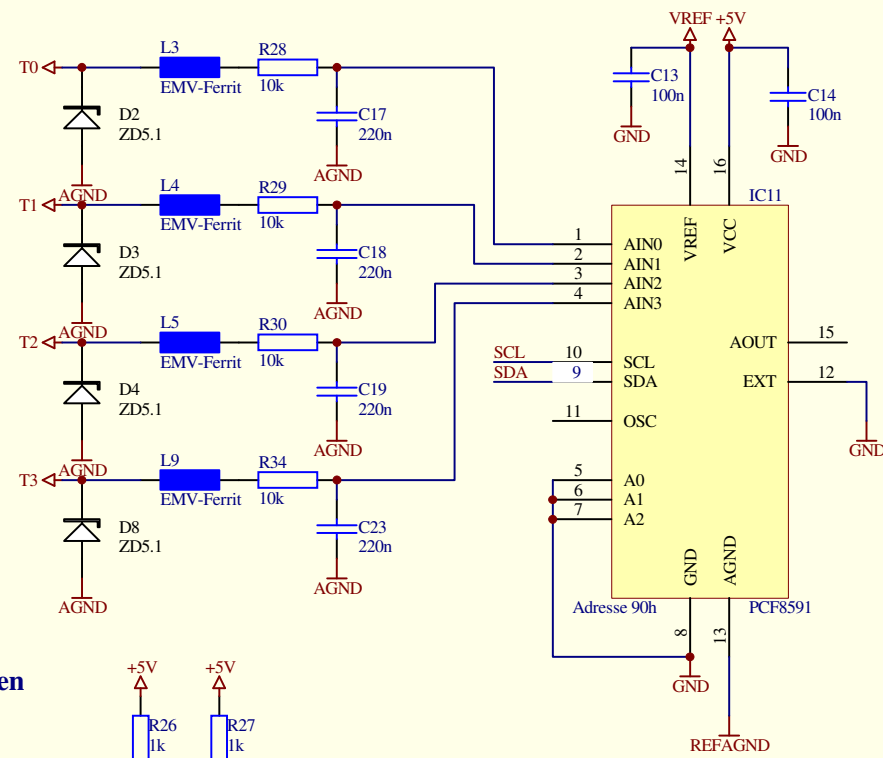
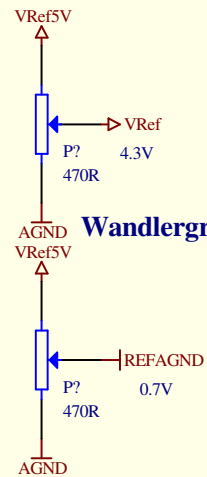


Referenzspannung



Sternpunkt Massen

Wandlergrenzen



| | | | |
|-----------------------------|----------------|--------------|-------------------|
| Title Energiemonitor | | | Fingers Welt 2011 |
| Size: A3 | Number: | Revision: | |
| Date: 7-Mar-2011 | Time: 08:03:44 | Sheet 1 of 1 | |
| File: | | | |